



**6870-PO3-CR4M16 S/R**

Comet



Comet 390lm 51mm 3.4W MR16 CR4M

Sleek and stylish, that is U-Tron's Comet spot light. It has a very focussed beam that is excellent for product displays, reading lights, museums, and the list goes on and on.

### Product Technical Data

#### General Informaion

Socket Type	MR16
Life Span	50000hr

#### Product Dimensions

Circular Diameter	50mm
Lamp Height	50mm

#### Light Characteristics

Efficacy	114.70lm/W
Beam Angle	60 D
CCT	4000K
Flux	390lm
Color Rendering Index	

#### Ordering Information

Product Number	6870-PO3-CR4M16S
Product Name	Comet Spotlight MR16
Product Ordering Name	Comet 390lm mm 3.4W MR16

#### Electrical Characteristics

Wattage	3.4W
Voltage	universal
Power Factor	0.937

Pieces Per Pack	1
Packs Per Carton	240
Net Weight Per Piece	130 Grams

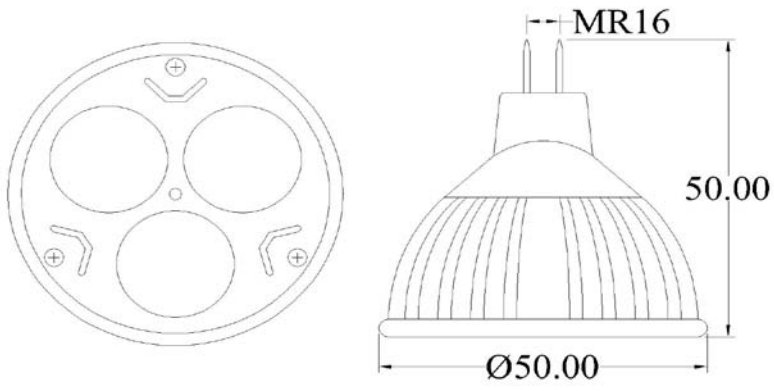
#### Temperature

Operating Temp.	-30(min), 65(max)C
Storage	-40(min), 65(max)C

[www.u-tron.com](http://www.u-tron.com)



Technical Drawing



©2012 U-Tron (Beijing) Electronics Co., LTD  
All rights reserved  
Specifications are subject to change without notice

15-Feb-12  
data subject to change